

TRAFFIC CRASH REPORT

*DENOTES MANDATORY FIELD FOR SUPPLEMENT REPORT

LOCAL REPORT NUMBER*

<input checked="" type="checkbox"/> PHOTOS TAKEN	<input type="checkbox"/> OH-2 <input type="checkbox"/> OH-3	LOCAL INFORMATION		2 0 2 2 - 0 0 0 0 1 8 0 0				
<input type="checkbox"/> SECONDARY CRASH	<input type="checkbox"/> OH-1P <input type="checkbox"/> OTHER	REPORTING AGENCY NAME* City of Kent Police		NCIC* 0 6 7 0 3		HIT/SKIP 1 - SOLVED 2 - UNSOLVED	NUMBER OF UNITS 0 2	UNIT IN ERROR 98 - ANIMAL 99 - UNKNOWN

COUNTY* 6 7	LOCALITY* 1 - CITY 2 - VILLAGE 3 - TOWNSHIP 1	LOCATION: CITY, VILLAGE, TOWNSHIP* Kent	CRASH DATE / TIME* 0 2 0 7 2 0 2 2 / 1 1 2 0	CRASH SEVERITY 1 - FATAL 2 - SERIOUS INJURY SUSPECTED 3 - MINOR INJURY SUSPECTED 4 - INJURY POSSIBLE 5 - PROPERTY DAMAGE ONLY 3
----------------	---	---	---	---

ROUTE TYPE S R	ROUTE NUMBER 2 6 1	PREFIX N - NORTH S - SOUTH E - EAST W - WEST	LOCATION ROAD NAME 261	ROAD TYPE	LATITUDE DECIMAL DEGREES 4 1 1 3 5 0 1 0
--------------------------	-----------------------	--	----------------------------------	-----------	---

ROUTE TYPE	ROUTE NUMBER	PREFIX N - NORTH S - SOUTH E - EAST W - WEST	REFERENCE ROAD NAME (ROAD, MILEPOST, HOUSE #) MOGADORE	ROAD TYPE R D	LONGITUDE DECIMAL DEGREES 8 1 3 2 1 5 5 0
------------	--------------	--	--	-------------------------	--

REFERENCE POINT 1 - INTERSECTION 2 - MILE POST 3 - HOUSE # 1	DIRECTION FROM REFERENCE N - NORTH S - SOUTH E - EAST W - WEST	ROUTE TYPE IR - INTERSTATE ROUTE(TP) US - FEDERAL US ROUTE SR - STATE ROUTE CR - NUMBERED COUNTY ROUTE TR - NUMBERED TOWNSHIP ROUTE	ROAD TYPE AL - ALLEY HW - HIGHWAY RD - ROAD AV - AVENUE LA - LANE SQ - SQUARE BL - BOULEVARD MP - MILEPOST ST - STREET CR - CIRCLE OV - OVAL TE - TERRACE CT - COURT PK - PARKWAY TL - TRAIL DR - DRIVE PI - PIKE WA - WAY HE - HEIGHTS PL - PLACE	INTERSECTION RELATED <input checked="" type="checkbox"/> WITHIN INTERSECTION OR ON APPROACH <input type="checkbox"/> WITHIN INTERCHANGE AREA NUMBER OF APPROACHES 4
--	--	--	---	---

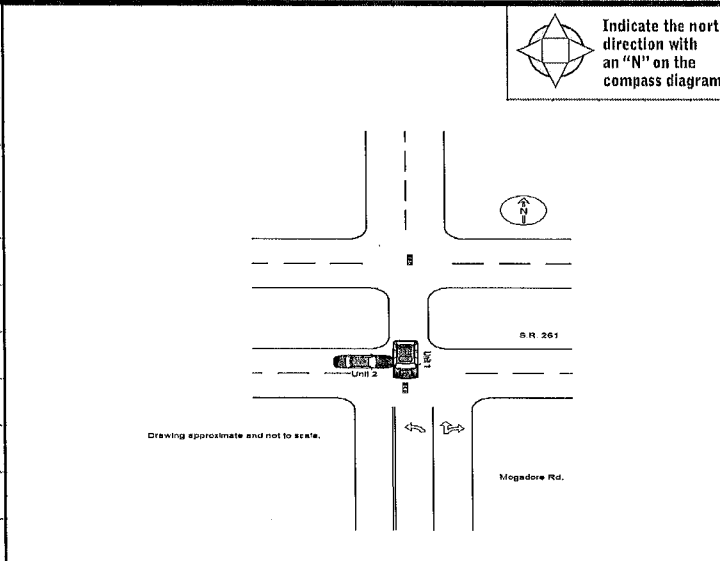
LOCATION OF FIRST HARMFUL EVENT 1 - ON ROADWAY 2 - ON SHOULDER 3 - IN MEDIAN 4 - ON ROADSIDE 5 - ON GORE 6 - OUTSIDE TRAFFIC WAY 7 - ON RAMP 8 - OFF RAMP 0 1	9 - CROSSOVER 10 - DRIVEWAY/ALLEY ACCESS 11 - RAILWAY GRADE CROSSING 12 - SHARED USE PATHS OR TRAILS 13 - BIKE LANE 14 - TOLL BOOTH 99 - OTHER / UNKNOWN	MANNER OF CRASH COLLISION/IMPACT 1 - NOT COLLISION BETWEEN TWO MOTOR VEHICLES IN TRANSPORT 2 - REAR-END 3 - HEAD-ON 4 - REAR-TO-REAR 5 - BACKING 6 - ANGLE 7 - SIDESWIPE, SAME DIRECTION 8 - SIDESWIPE, OPPOSITE DIRECTION 9 - OTHER / UNKNOWN 6	DIRECTION OF TRAVEL N - NORTH S - SOUTH E - EAST W - WEST 3	MEDIAN TYPE 1 - DIVIDED FLUSH MEDIAN (<4 FEET) 2 - DIVIDED FLUSH MEDIAN (≥4 FEET) 3 - DIVIDED, DEPRESSED MEDIAN 4 - DIVIDED, RAISED MEDIAN (ANY TYPE) 9 - OTHER/UNKNOWN 3
--	--	--	--	---

<input type="checkbox"/> WORK ZONE RELATED <input type="checkbox"/> WORKERS PRESENT <input type="checkbox"/> LAW ENFORCEMENT PRESENT <input type="checkbox"/> ACTIVE SCHOOL ZONE	WORK ZONE TYPE 1 - LANE CLOSURE 2 - LANE SHIFT/CROSSOVER 3 - WORK ON SHOULDER OR MEDIAN 4 - INTERMITTENT OR MOVING WORK 5 - OTHER	LOCATION OF CRASH IN WORK ZONE 1 - BEFORE THE 1ST WORK ZONE WARNING SIGN 2 - ADVANCE WARNING AREA 3 - TRANSITION AREA 4 - ACTIVITY AREA 5 - TERMINATION AREA	CONTOUR 1 1 - STRAIGHT LEVEL 2 - STRAIGHT GRADE 3 - CURVE LEVEL 4 - CURVE GRADE 9 - OTHER/UNKNOWN	CONDITIONS 1 1 - DRY 2 - WET 3 - SNOW 4 - ICE 5 - SAND, MUD, DIRT, OIL, GRAVEL 6 - WATER (STANDING, MOVING) 7 - SLUSH 9 - OTHER/UNKNOWN	SURFACE 2 1 - CONCRETE 2 - BLACKTOP, BITUMINOUS, ASPHALT 3 - BRICK/BLOCK 4 - SLAG, GRAVEL, STONE 5 - DIRT 9 - OTHER/UNKNOWN
---	--	---	---	--	--

LIGHT CONDITION 1 - DAYLIGHT 2 - DAWN/DUSK 3 - DARK - LIGHTED ROADWAY 4 - DARK - ROADWAY NOT LIGHTED 5 - DARK - UNKNOWN ROADWAY LIGHTING 9 - OTHER / UNKNOWN 1	WEATHER 1 - CLEAR 2 - CLOUDY 3 - FOG, SMOG, SMOKE 4 - RAIN 5 - SLEET, HAIL 6 - SNOW 7 - SEVERE CROSSWINDS 8 - BLOWING SAND, SOIL, DIRT, SNOW 9 - FREEZING RAIN OR FREEZING DRIZZLE 99 - OTHER / UNKNOWN 0 1
---	--

NARRATIVE

Unit #1 was traveling W/B on SR 261 approaching Mogadore Rd. Unit #2 was traveling E/B on Sr 261 approaching Mogadore Rd. Unit #1 turned S/B onto Mogadore Rd and was struck by Unit #2. Driver of Unit #1 advised she did not have a green turn arrow. Driver of Unit #2 advised he had the green light.



CRASH REPORTED DATE / TIME 0 2 0 7 2 0 2 2 / 1 1 2 0	DISPATCH DATE / TIME 0 2 0 7 2 0 2 2 / 1 1 2 1	ARRIVAL DATE / TIME 0 2 0 7 2 0 2 2 / 1 1 2 8	SCENE CLEARED DATE / TIME 0 2 0 7 2 0 2 2 / 1 2 1 5	REPORT TAKEN BY <input checked="" type="checkbox"/> POLICE AGENCY <input type="checkbox"/> MOTORIST
TOTAL TIME ROADWAY CLOSED 0 5 5	OTHER INVESTIGATION TIME 0 6 0	TOTAL MINUTES 1 2 4	OFFICER'S NAME* Ennemoser, James	CHECKED BY OFFICER'S NAME* Ennemoser, James
			OFFICER'S BADGE NUMBER* 2 5 5	CHECKED BY OFFICER'S BADGE NUMBER* 2 5 5

OWNER

UNIT # 01 OWNER NAME: LAST, FIRST, MIDDLE (SAME AS DRIVER)
MURPHY, BROCK, MITCHAE

OWNER ADDRESS: STREET, CITY, STATE, ZIP (SAME AS DRIVER)
7345 MYRNA AVE, Franklin Twp, OH 44240

COMMERCIAL CARRIER: NAME, ADDRESS, CITY, STATE, ZIP
 COMMERCIAL CARRIER PHONE: INCLUDE AREA CODE

DAMAGE

DAMAGE SCALE
4 1 - NONE 3 - FUNCTIONAL DAMAGE
 2 - MINOR DAMAGE 4 - DISABLING DAMAGE
 9 - UNKNOWN

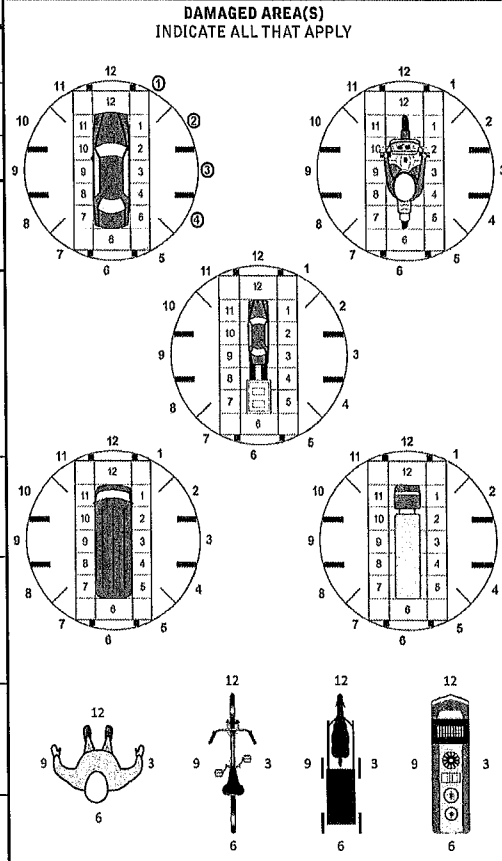
VEHICLE

LP STATE OH LICENSE PLATE # GPX1935 VEHICLE IDENTIFICATION # 1G1GK1KVPK03EJ365958 VEHICLE YEAR 2014 VEHICLE MAKE GMC

INSURANCE VERIFIED INSURANCE COMPANY STATE FARM INSURANCE POLICY # 420144B1535E COLOR WHI VEHICLE MODEL ACADIA

COMMERCIAL TYPE OF USE GOVERNMENT IN EMERGENCY RESPONSE US DOT # TOWED BY: COMPANY NAME Bakers Towing

INTERLOCK DEVICE EQUIPPED HIT/SKIP UNIT #OCCUPANTS 01 VEHICLE WEIGHT GVWR/GCWR
 1 - <10K LBS.
 2 - 10,001 - 26K LBS.
 3 - >26K LBS. HAZARDOUS MATERIAL CLASS # PLACARD ID #



UNIT TYPE 03

1 - PASSENGER CAR	7 - MOTORCYCLE 2-WHEELED	12 - GOLF CART	18 - LIMO (LIVERY VEHICLE)	23 - PEDESTRIAN / SKATER
2 - PASSENGER VAN (MINIVAN)	8 - MOTORCYCLE 3-WHEELED	13 - SNOWMOBILE	19 - BUS (16+ PASSENGERS)	24 - WHEELCHAIR (ANY TYPE)
3 - SPORT UTILITY VEHICLE	9 - AUTOCYCLE	14 - SINGLE UNIT TRUCK	20 - OTHER VEHICLE	25 - OTHER NON-MOTORIST
4 - PICK UP	10 - MOPED OR MOTORIZED BICYCLE	15 - SEMI-TRACTOR	21 - HEAVY EQUIPMENT	26 - BICYCLE
5 - CARGO VAN	11 - ALL TERRAIN VEHICLE (ATV/UTV)	16 - FARM EQUIPMENT	22 - ANIMAL WITH RIDER OR ANIMAL-DRAWN VEHICLE	27 - TRAIN
6 - VAN (9-15 SEATS)		17 - MOTORHOME		99 - UNKNOWN OR HITS/SKIP

OF TRAILING UNITS

WAS VEHICLE OPERATING IN AUTONOMOUS MODE WHEN CRASH OCCURRED? 2

1 - YES 2 - NO 9 - OTHER / UNKNOWN

AUTONOMOUS MODE LEVEL 0

0 - NO AUTOMATION 3 - CONDITIONAL AUTOMATION 9 - UNKNOWN
 1 - DRIVER ASSISTANCE 4 - HIGH AUTOMATION
 2 - PARTIAL AUTOMATION 5 - FULL AUTOMATION

SPECIAL FUNCTION 01

1 - NONE	6 - BUS - CHARTER/TOUR	11 - FIRE	16 - FARM	21 - MAIL CARRIER
2 - TAXI	7 - BUS - INTERCITY	12 - MILITARY	17 - MOWING	99 - OTHER / UNKNOWN
3 - ELECTRONIC RIDE SHARING	8 - BUS - SHUTTLE	13 - POLICE	18 - SNOW REMOVAL	
4 - SCHOOL TRANSPORT	9 - BUS - OTHER	14 - PUBLIC UTILITY	19 - TOWING	
5 - BUS - TRANSIT/COMMUTER	10 - AMBULANCE	15 - CONSTRUCTION EQUIPMENT	20 - SAFETY SERVICE PATROL	

CARGO BODY TYPE 01

1 - NO CARGO BODY TYPE / NOT APPLICABLE	3 - VEHICLE TOWING ANOTHER MOTOR VEHICLE	5 - INTERMODAL CONTAINER CHASSIS	8 - POLE	12 - CONCRETE MIXER
2 - BUS	4 - LOGGING	6 - CARGO VAN/ENCLOSED BOX	9 - CARGO TANK	13 - AUTO TRANSPORTER
		7 - GRAIN/CHIPS/GRAVEL	10 - FLAT BED	14 - GARBAGE/REFUSE
			11 - DUMP	99 - OTHER / UNKNOWN

VEHICLE DEFECTS

1 - TURN SIGNALS	4 - BRAKES	7 - WORN OR SLICK TIRES	9 - MOTOR TROUBLE	99 - OTHER / UNKNOWN
2 - HEAD LAMPS	5 - STEERING	8 - TRAILER EQUIPMENT DEFECTIVE	10 - DISABLED FROM PRIOR ACCIDENT	
3 - TAIL LAMPS	6 - TIRE BLOWOUT			

- NO DAMAGE [0] - UNDERCARRIAGE [14]
 - TOP [13] - ALL AREAS [15]
 - UNIT NOT AT SCENE [16]

NON-MOTORIST LOCATION AT IMPACT

1 - INTERSECTION - MARKED CROSSWALK	3 - INTERSECTION - OTHER	6 - BICYCLE LANE	9 - MEDIAN/CROSSING ISLAND	12 - FIRST RESPONDER AT INCIDENT SCENE
2 - INTERSECTION - UNMARKED CROSSWALK	4 - MIDBLOCK - MARKED CROSSWALK	7 - SHOULDER / ROADSIDE	10 - DRIVEWAY ACCESS	14 - GARBAGE/REFUSE
	5 - TRAVEL LANE - OTHER LOCATION	8 - SIDEWALK	11 - SHARED USE PATHS OR TRAILS	99 - OTHER / UNKNOWN

ACTION 4

1 - NON-CONTACT	1 - STRAIGHT AHEAD	7 - MAKING U-TURN	13 - NEGOTIATING A CURVE	18 - APPROACHING OR LEAVING VEHICLE
2 - NON-COLLISION	2 - BACKING	8 - ENTERING TRAFFIC LANE	14 - ENTERING OR CROSSING SPECIFIED LOCATION	19 - STANDING
3 - STRIKING	3 - CHANGING LANES	9 - LEAVING TRAFFIC LANE	15 - WALKING, RUNNING, JOGGING, PLAYING	20 - OTHER NON-MOTORIST
4 - STRUCK	4 - OVERTAKING/PASSING	10 - PARKED	16 - WORKING	21 - STANDING OUTSIDE DISABLED VEHICLE
5 - BOTH STRIKING & STRUCK	5 - MAKING RIGHT TURN	11 - SLOWING OR STOPPED IN TRAFFIC	17 - PUSHING VEHICLE	99 - OTHER / UNKNOWN
9 - OTHER / UNKNOWN	6 - MAKING LEFT TURN	12 - DRIVERLESS		

INITIAL POINT OF CONTACT 02

0 - NO DAMAGE 14 - UNDERCARRIAGE
 1-12 - REFER TO UNIT DIAGRAM 15 - VEHICLE NOT AT SCENE
 99 - UNKNOWN
 13 - TOP

CONTRIBUTING CIRCUMSTANCES 02

1 - NONE	7 - LEFT OF CENTER	13 - IMPROPER START FROM A PARKED POSITION	17 - VISION OBSTRUCTION	21 - LYING IN ROADWAY
2 - FAILURE TO YIELD	8 - FOLLOWING TOO CLOSE / ACDA	14 - STOPPED OR PARKED ILLEGALLY	18 - OPERATING DEFECTIVE EQUIPMENT	22 - NOT DISCERNIBLE
3 - RAN RED LIGHT	9 - IMPROPER LANE CHANGE	15 - SWERVING TO AVOID	19 - LOAD SHIFTING/FALLING/ SPILLING	23 - OPENING DOOR INTO ROADWAY
4 - RAN STOP SIGN	10 - IMPROPER PASSING	16 - WRONG WAY	20 - IMPROPER CROSSING	99 - OTHER IMPROPER ACTION
5 - UNSAFE SPEED	11 - DROVE OFF ROAD			
6 - IMPROPER TURN	12 - IMPROPER BACKING			

TRAFFIC

TRAFFICWAY FLOW <u>2</u> 1 - ONE-WAY 2 - TWO-WAY	TRAFFIC CONTROL <u>2</u> 1 - ROUNDABOUT 4 - STOP SIGN 2 - SIGNAL 5 - YIELD SIGN 3 - FLASHER 6 - NO CONTROL
---	--

SEQUENCE OF EVENTS

1 <u>20</u>	1 - OVERTURN/ROLLOVER	6 - EQUIPMENT FAILURE	11 - CROSS CENTERLINE - OPPOSITE DIRECTION OF TRAVEL	16 - RAILWAY VEHICLE	22 - WORK ZONE MAINTENANCE EQUIPMENT
2 <u> </u>	2 - FIRE/EXPLOSION	7 - SEPARATION OF UNITS	12 - DOWNHILL RUNAWAY	17 - ANIMAL - FARM	23 - STRUCK BY FALLING, SHIFTING CARGO OR ANYTHING SET IN MOTION BY A MOTOR VEHICLE
3 <u> </u>	3 - IMMERSION	8 - RAN OFF ROAD RIGHT	13 - OTHER NON-COLLISION	18 - ANIMAL - DEER	24 - OTHER MOVABLE OBJECT
4 <u> </u>	4 - JACKKNIFE	9 - RAN OFF ROAD LEFT	14 - PEDESTRIAN	19 - ANIMAL - OTHER	
5 <u> </u>	5 - CARGO / EQUIPMENT LOSS OR SHIFT	10 - CROSS MEDIAN	15 - PEDALCYCLE	20 - MOTOR VEHICLE IN TRANSPORT	
6 <u> </u>				21 - PARKED MOTOR VEHICLE	

OF THROUGH LANES ON ROAD 5

RAIL GRADE CROSSING 1

1 - NOT INVOLVED
 2 - INVOLVED-ACTIVE CROSSING
 3 - INVOLVED-PASSIVE CROSSING

COLLISION WITH FIXED OBJECT - STRUCK

25 - IMPACT ATTENUATOR / CRASH CUSHION	31 - GUARDRAIL END	37 - TRAFFIC SIGN POST	43 - CURB	50 - WORK ZONE MAINTENANCE EQUIPMENT
26 - BRIDGE OVERHEAD STRUCTURE	32 - PORTABLE BARRIER	38 - OVERHEAD SIGN POST	44 - DITCH	51 - WALL
27 - BRIDGE PIER OR ABUTMENT	33 - MEDIAN CABLE BARRIER	39 - LIGHT / LUMINARIES SUPPORT	45 - EMBANKMENT	52 - BUILDING
28 - BRIDGE PARAPET	34 - MEDIAN GUARDRAIL BARRIER	40 - UTILITY POLE	46 - FENCE	53 - TUNNEL
29 - BRIDGE RAIL	35 - MEDIAN CONCRETE BARRIER	41 - OTHER POST, POLE OR SUPPORT	47 - MAILBOX	54 - OTHER FIXED OBJECT
30 - GUARDRAIL FACE	36 - MEDIAN OTHER BARRIER	42 - CULVERT	48 - TREE	99 - OTHER / UNKNOWN
			49 - FIRE HYDRANT	

UNIT / NON-MOTORIST DIRECTION

FROM 3 TO 2

1 - NORTH 5 - NORTHEAST
 2 - SOUTH 6 - NORTHWEST
 3 - EAST 7 - SOUTHEAST
 4 - WEST 8 - SOUTHWEST
 9 - OTHER / UNKNOWN

UNIT SPEED 015

POSTED SPEED 50

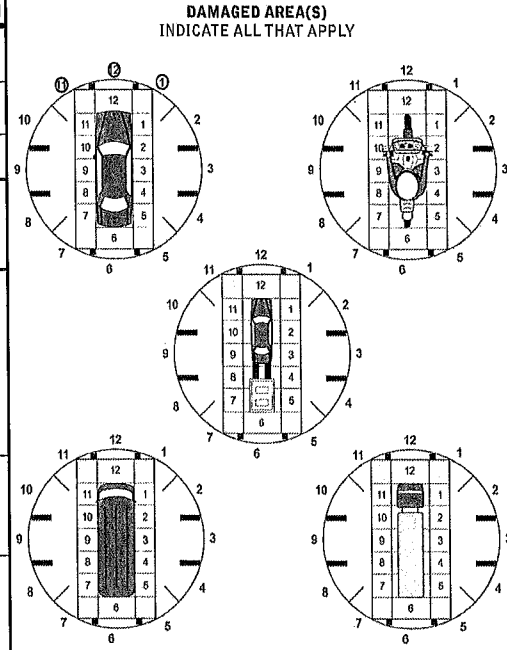
DETECTED SPEED 1

1 - STATED / ESTIMATED SPEED
 2 - CALCULATED / EDR
 3 - UNDETERMINED

OWNER
UNIT # 0 2 | **OWNER NAME:** LAST, FIRST, MIDDLE (☑ SAME AS DRIVER) **WHEELER, JOSEPH, D**
OWNER ADDRESS: STREET, CITY, STATE, ZIP (☑ SAME AS DRIVER)
2366 EASTWOOD AVE, Akron, OH 44305
COMMERCIAL CARRIER: NAME, ADDRESS, CITY, STATE, ZIP
OWNER PHONE: INCLUDE AREA CODE (☑ SAME AS DRIVER)
COMMERCIAL CARRIER PHONE: INCLUDE AREA CODE

DAMAGE
DAMAGE SCALE
4 1 - NONE 3 - FUNCTIONAL DAMAGE
 2 - MINOR DAMAGE 4 - DISABLING DAMAGE
 9 - UNKNOWN

VEHICLE
LP STATE OH | **LICENSE PLATE #** EGJ5985 | **VEHICLE IDENTIFICATION #** 2 C 3 C C A A G X C H 2 7 3 7 4 7 | **VEHICLE YEAR** 2 0 1 2 | **VEHICLE MAKE** Chrysler
 INSURANCE VERIFIED | **INSURANCE COMPANY** ALL STATE | **INSURANCE POLICY #** 980863523 | **COLOR** BRO | **VEHICLE MODEL** 300
 COMMERCIAL | **GOVERNMENT** | **IN EMERGENCY RESPONSE**
 INTERLOCK DEVICE EQUIPPED | **HIT/SKIP UNIT** | **#OCCUPANTS** 0 1 | **VEHICLE WEIGHT GVWR/GCWR**
 1 - ≤10K LBS.
 2 - 10,001 - 26K LBS.
 3 - >26K LBS.
TOWED BY: COMPANY NAME **Bakers Towing**
 HAZARDOUS MATERIAL CLASS # | **PLACARD ID #**



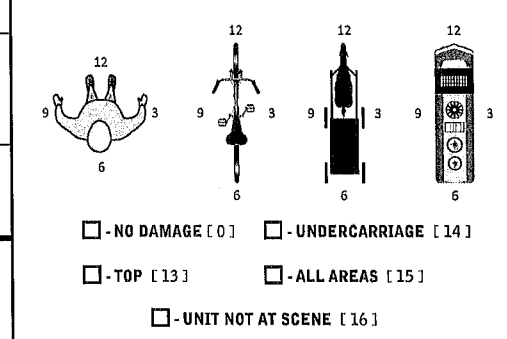
UNIT TYPE
 1 - PASSENGER CAR 7 - MOTORCYCLE 2-WHEELED 12 - GOLF CART 18 - LIMO (LIVERY VEHICLE) 23 - PEDESTRIAN / SKATER
 2 - PASSENGER VAN (MINIVAN) 8 - MOTORCYCLE 3-WHEELED 13 - SNOWMOBILE 19 - BUS (16+ PASSENGERS) 24 - WHEELCHAIR (ANY TYPE)
 3 - SPORT UTILITY VEHICLE 9 - AUTOCYCLE 14 - SINGLE UNIT TRUCK 20 - OTHER VEHICLE 25 - OTHER NON-MOTORIST
 4 - PICK UP 10 - MOPED OR MOTORIZED BICYCLE 15 - SEMI-TRACTOR 21 - HEAVY EQUIPMENT 26 - BICYCLE
 5 - CARGO VAN 11 - ALL TERRAIN VEHICLE (ATV/UTV) 16 - FARM EQUIPMENT 22 - ANIMAL WITH RIDER OR ANIMAL-DRAWN VEHICLE 27 - TRAIN
 6 - VAN (9-15 SEATS) 17 - MOTORHOME 99 - UNKNOWN OR HIT/SKIP
OF TRAILING UNITS

WAS VEHICLE OPERATING IN AUTONOMOUS MODE WHEN CRASH OCCURRED?
2 1 - YES 2 - NO 9 - OTHER / UNKNOWN
AUTONOMOUS MODE LEVEL
 0 - NO AUTOMATION 1 - DRIVER ASSISTANCE 3 - CONDITIONAL AUTOMATION 9 - UNKNOWN
 1 - PARTIAL AUTOMATION 2 - PARTIAL AUTOMATION 4 - HIGH AUTOMATION 5 - FULL AUTOMATION

SPECIAL FUNCTION
 1 - NONE 6 - BUS - CHARTER/TOUR 11 - FIRE 16 - FARM 21 - MAIL CARRIER
 2 - TAXI 7 - BUS - INTERCITY 12 - MILITARY 17 - MOWING 99 - OTHER / UNKNOWN
 3 - ELECTRONIC RIDE SHARING 8 - BUS - SHUTTLE 13 - POLICE 18 - SNOW REMOVAL
 4 - SCHOOL TRANSPORT 9 - BUS - OTHER 14 - PUBLIC UTILITY 19 - TOWING
 5 - BUS - TRANSIT/COMMUTER 10 - AMBULANCE 15 - CONSTRUCTION EQUIPMENT 20 - SAFETY SERVICE PATROL

CARGO BODY TYPE
 1 - NO CARGO BODY TYPE / NOT APPLICABLE 3 - VEHICLE TOWING ANOTHER MOTOR VEHICLE 5 - INTERMODAL CONTAINER CHASSIS 8 - POLE 12 - CONCRETE MIXER
 2 - BUS 4 - LOGGING 6 - CARGO VAN/ENCLOSED BOX 9 - CARGO TANK 13 - AUTO TRANSPORTER
 7 - GRAIN/CHIPS/GRAVEL 11 - DUMP 10 - FLAT BED 14 - GARBAGE/REFUSE 19 - OTHER / UNKNOWN

VEHICLE DEFECTS
 1 - TURN SIGNALS 4 - BRAKES 7 - WORN OR SLICK TIRES 9 - MOTOR TROUBLE 99 - OTHER / UNKNOWN
 2 - HEAD LAMPS 5 - STEERING 8 - TRAILER EQUIPMENT DEFECTIVE 10 - DISABLED FROM PRIOR ACCIDENT
 3 - TAIL LAMPS 6 - TIRE BLOWOUT



NON-MOTORIST LOCATION AT IMPACT
 1 - INTERSECTION - MARKED CROSSWALK 3 - INTERSECTION - OTHER 6 - BICYCLE LANE 9 - MEDIAN/CROSSING ISLAND 12 - FIRST RESPONDER AT INCIDENT SCENE
 2 - INTERSECTION - UNMARKED CROSSWALK 4 - MIDBLOCK - MARKED CROSSWALK 7 - SHOULDER / ROADSIDE 10 - DRIVEWAY ACCESS 14 - GARBAGE/REFUSE
 8 - SIDEWALK 11 - SHARED USE PATHS OR TRAILS 99 - OTHER / UNKNOWN

ACTION
3 1 - NON-CONTACT 1 - STRAIGHT AHEAD 7 - MAKING U-TURN 13 - NEGOTIATING A CURVE 18 - APPROACHING OR LEAVING VEHICLE
 2 - NON-COLLISION 2 - BACKING 8 - ENTERING TRAFFIC LANE 14 - ENTERING OR CROSSING SPECIFIED LOCATION 19 - STANDING
 3 - STRIKING 3 - CHANGING LANES 9 - LEAVING TRAFFIC LANE 15 - WALKING, RUNNING, JOGGING, PLAYING 20 - OTHER NON-MOTORIST
 4 - STRUCK PRE-CRASH ACTIONS 4 - OVERTAKING/PASSING 10 - PARKED 11 - SLOWING OR STOPPED IN TRAFFIC 16 - WORKING 21 - STANDING OUTSIDE DISABLED VEHICLE
 5 - BOTH STRIKING & STRUCK 5 - MAKING RIGHT TURN 12 - DRIVERLESS 17 - PUSHING VEHICLE 99 - OTHER / UNKNOWN
 9 - OTHER / UNKNOWN

INITIAL POINT OF CONTACT
 0 - NO DAMAGE 14 - UNDERCARRIAGE
1 2 1-12 - REFER TO UNIT DIAGRAM 15 - VEHICLE NOT AT SCENE
 99 - UNKNOWN
 13 - TOP

CONTRIBUTING CIRCUMSTANCES
0 1 1 - NONE 7 - LEFT OF CENTER 13 - IMPROPER START FROM A PARKED POSITION 17 - VISION OBSTRUCTION 21 - LYING IN ROADWAY
 2 - FAILURE TO YIELD 8 - FOLLOWING TOO CLOSE / ACDA 14 - STOPPED OR PARKED ILLEGALLY 18 - OPERATING DEFECTIVE EQUIPMENT 22 - NOT DISCERNIBLE
 3 - RAN RED LIGHT 9 - IMPROPER LANE CHANGE 15 - SWERVING TO AVOID 19 - LOAD SHIFTING/FALLING/SPILLING 23 - OPENING DOOR INTO ROADWAY
 4 - RAN STOP SIGN 10 - IMPROPER PASSING 16 - WRONG WAY 20 - IMPROPER CROSSING 99 - OTHER IMPROPER ACTION
 5 - UNSAFE SPEED 11 - DROVE OFF ROAD
 6 - IMPROPER TURN 12 - IMPROPER BACKING

TRAFFIC
TRAFFICWAY FLOW 1 - ONE-WAY 2 - TWO-WAY
2
TRAFFIC CONTROL 1 - ROUNDABOUT 4 - STOP SIGN 2 - SIGNAL 5 - YIELD SIGN 3 - FLASHER 6 - NO CONTROL
4

SEQUENCE OF EVENTS
1 2 0 1 - OVERTURN/ROLLOVER 6 - EQUIPMENT FAILURE 11 - CROSS CENTERLINE - OPPOSITE DIRECTION OF TRAVEL 16 - RAILWAY VEHICLE 22 - WORK ZONE MAINTENANCE EQUIPMENT
 2 - FIRE/EXPLOSION 7 - SEPARATION OF UNITS 12 - DOWNHILL RUNAWAY 17 - ANIMAL - FARM 23 - STRUCK BY FALLING, SHIFTING CARGO OR ANYTHING SET IN MOTION BY A MOTOR VEHICLE
 3 - IMMERSION 8 - RAN OFF ROAD RIGHT 13 - OTHER NON-COLLISION 18 - ANIMAL - DEER 24 - OTHER MOVABLE OBJECT
 4 - JACKKNIFE 9 - RAN OFF ROAD LEFT 14 - PEDESTRIAN 19 - ANIMAL - OTHER 20 - MOTOR VEHICLE IN TRANSPORT
 5 - CARGO / EQUIPMENT LOSS OR SHIFT 10 - CROSS MEDIAN 15 - PEDALCYCLE 21 - PARKED MOTOR VEHICLE

OF THROUGH LANES ON ROAD
5
RAIL GRADE CROSSING
 1 - NOT INVOLVED
 2 - INVOLVED-ACTIVE CROSSING
 3 - INVOLVED-PASSIVE CROSSING
1
UNIT / NON-MOTORIST DIRECTION
 FROM **4** TO **3**
 1 - NORTH 5 - NORTHEAST
 2 - SOUTH 6 - NORTHWEST
 3 - EAST 7 - SOUTHEAST
 4 - WEST 8 - SOUTHWEST
 9 - OTHER / UNKNOWN

COLLISION WITH FIXED OBJECT - STRUCK
4 25 - IMPACT ATTENUATOR / CRASH CUSHION 31 - GUARDRAIL END 37 - TRAFFIC SIGN POST 43 - CURB 50 - WORK ZONE MAINTENANCE EQUIPMENT
 26 - BRIDGE OVERHEAD STRUCTURE 32 - PORTABLE BARRIER 38 - OVERHEAD SIGN POST 44 - DITCH 51 - WALL
 27 - BRIDGE PIER OR ABUTMENT BARRIER 33 - MEDIUM CABLE BARRIER 39 - LIGHT / LUMINARIES SUPPORT 45 - EMBANKMENT 52 - BUILDING
 28 - BRIDGE PARAPET 34 - MEDIUM GUARDRAIL BARRIER 40 - UTILITY POLE 46 - FENCE 53 - TUNNEL
 29 - BRIDGE RAIL 35 - MEDIUM CONCRETE BARRIER 41 - OTHER POST, POLE OR SUPPORT 47 - MAILBOX 54 - OTHER FIXED OBJECT
 30 - GUARDRAIL FACE 36 - MEDIUM OTHER BARRIER 42 - CULVERT 48 - TREE 99 - OTHER / UNKNOWN
 49 - FIRE HYDRANT

UNIT SPEED
0 3 5
POSTED SPEED
5 0
DETECTED SPEED
1 1 - STATED / ESTIMATED SPEED
 2 - CALCULATED / EDR
 3 - UNDETERMINED



MOTORIST / Non-MOTORIST

LOCAL REPORT NUMBER
 2 0 2 2 - 0 0 0 0 1 8 0 0

UNIT # 0 1	NAME: LAST, FIRST, MIDDLE MURPHY, ROXANNE, MARIE		DATE OF BIRTH 0 8 / 1 4 / 1 9 7 9		AGE 4 2	GENDER F				
ADDRESS: STREET, CITY, STATE, ZIP 7345 MYRNA AVE, Franklin Twp, OH 44240				CONTACT PHONE - INCLUDE AREA CODE						
INJURIES 5	INJURED TAKEN BY	EMS AGENCY (NAME) Kent Fire	INJURED TAKEN TO: MEDICAL FACILITY (NAME, CITY) Akron City Hospital	SAFETY EQUIPMENT USED 0 4	<input type="checkbox"/> DOT-COMPLIANT MC HELMET	SEATING POSITION 0 1	AIR BAG USAGE 4	EJECTION 1	TRAPPED 1	
OL STATE O H	OPERATOR LICENSE NUMBER		OFFENSE CHARGED	LOCAL CODE <input checked="" type="checkbox"/>	OFFENSE DESCRIPTION		CITATION NUMBER			
OL CLASS 4	ENDORSEMENT SELECT UP TO 2	RESTRICTION SELECT UP TO 3	DRIVER DISTRACTED BY 1	ALCOHOL / DRUG SUSPECTED <input type="checkbox"/> ALCOHOL <input type="checkbox"/> MARIJUANA <input type="checkbox"/> OTHER DRUG		CONDITION 1	ALCOHOL TEST STATUS 1 TYPE 1 VALUE		DRUG TEST(S) STATUS 1 TYPE 1 RESULT SELECT UP TO 4	

UNIT # 0 2	NAME: LAST, FIRST, MIDDLE WHEELER, JOSEPH, D		DATE OF BIRTH 1 0 / 0 3 / 1 9 5 8		AGE 6 3	GENDER M				
ADDRESS: STREET, CITY, STATE, ZIP 2366 EASTWOOD AVE, Akron, OH 44305				CONTACT PHONE - INCLUDE AREA CODE						
INJURIES 3	INJURED TAKEN BY 2	EMS AGENCY (NAME) Kent Fire	INJURED TAKEN TO: MEDICAL FACILITY (NAME, CITY) Akron City Hospital	SAFETY EQUIPMENT USED 0 4	<input type="checkbox"/> DOT-COMPLIANT MC HELMET	SEATING POSITION 0 1	AIR BAG USAGE 2	EJECTION 1	TRAPPED 1	
OL STATE O H	OPERATOR LICENSE NUMBER		OFFENSE CHARGED	LOCAL CODE <input type="checkbox"/>	OFFENSE DESCRIPTION		CITATION NUMBER			
OL CLASS 4	ENDORSEMENT SELECT UP TO 2	RESTRICTION SELECT UP TO 3	DRIVER DISTRACTED BY 1	ALCOHOL / DRUG SUSPECTED <input type="checkbox"/> ALCOHOL <input type="checkbox"/> MARIJUANA <input type="checkbox"/> OTHER DRUG		CONDITION 1	ALCOHOL TEST STATUS 1 TYPE 1 VALUE		DRUG TEST(S) STATUS 1 TYPE 1 RESULT SELECT UP TO 4	

UNIT #	NAME: LAST, FIRST, MIDDLE		DATE OF BIRTH		AGE	GENDER				
ADDRESS: STREET, CITY, STATE, ZIP				CONTACT PHONE - INCLUDE AREA CODE						
INJURIES	INJURED TAKEN BY	EMS AGENCY (NAME)	INJURED TAKEN TO: MEDICAL FACILITY (NAME, CITY)	SAFETY EQUIPMENT USED	<input type="checkbox"/> DOT-COMPLIANT MC HELMET	SEATING POSITION	AIR BAG USAGE	EJECTION	TRAPPED	
OL STATE	OPERATOR LICENSE NUMBER		OFFENSE CHARGED	LOCAL CODE	OFFENSE DESCRIPTION		CITATION NUMBER			
OL CLASS	ENDORSEMENT SELECT UP TO 2	RESTRICTION SELECT UP TO 3	DRIVER DISTRACTED BY	ALCOHOL / DRUG SUSPECTED <input type="checkbox"/> ALCOHOL <input type="checkbox"/> MARIJUANA <input type="checkbox"/> OTHER DRUG		CONDITION	ALCOHOL TEST STATUS TYPE VALUE		DRUG TEST(S) STATUS TYPE RESULT SELECT UP TO 4	

INJURIES	SEATING POSITION	AIR BAG	OL CLASS	OL RESTRICTION(S)	DRIVER DISTRACTION	TEST STATUS
1 - FATAL	1 - FRONT - LEFT SIDE (MOTORCYCLE DRIVER)	1 - NOT DEPLOYED	1 - CLASS A	1 - ALCOHOL INTERLOCK DEVICE	1 - NOT DISTRACTED	1 - NONE GIVEN
2 - SUSPECTED SERIOUS INJURY	2 - FRONT - MIDDLE	2 - DEPLOYED FRONT	2 - CLASS B	2 - CDL INTRASTATE ONLY	2 - MANUALLY OPERATING AN ELECTRONIC COMMUNICATION DEVICE (TEXTING, TYPING, DIALING)	2 - TEST REFUSED
3 - SUSPECTED MINOR INJURY	3 - FRONT - RIGHT SIDE	3 - DEPLOYED SIDE	3 - CLASS C	3 - CORRECTIVE LENSES	3 - TALKING ON HANDS-FREE COMMUNICATION DEVICE	3 - TEST GIVEN, CONTAMINATED SAMPLE / UNUSABLE
4 - POSSIBLE INJURY	4 - SECOND - LEFT SIDE (MOTORCYCLE PASSENGER)	4 - DEPLOYED BOTH FRONT / SIDE	4 - REGULAR CLASS (OHIO = D)	4 - FARM WAIVER	4 - TALKING ON HAND-HELD COMMUNICATION DEVICE	4 - TEST GIVEN, RESULTS KNOWN
5 - NO APPARENT INJURY	5 - SECOND - MIDDLE	5 - NOT APPLICABLE	5 - M/C MOPED ONLY	5 - EXCEPT CLASS A BUS	5 - OTHER ACTIVITY WITH AN ELECTRONIC DEVICE	5 - TEST GIVEN, RESULTS UNKNOWN
INJURED TAKEN BY		EJECTION		ALCOHOL TEST TYPE		
1 - NOT TRANSPORTED / TREATED AT SCENE	6 - SECOND - RIGHT SIDE	1 - NOT EJECTED	H - HAZMAT	6 - EXCEPT CLASS A & CLASS B BUS	1 - NONE	
2 - EMS	7 - THIRD - LEFT SIDE (MOTORCYCLE SIDE CAR)	2 - PARTIALLY EJECTED	M - MOTORCYCLE	7 - EXCEPT TRACTOR-TRAILER	2 - BLOOD	
3 - POLICE	8 - THIRD - MIDDLE	3 - TOTALLY EJECTED	P - PASSENGER	8 - INTERMEDIATE LICENSE RESTRICTIONS	3 - URINE	
9 - OTHER / UNKNOWN	9 - THIRD - RIGHT SIDE	4 - NOT APPLICABLE	N - TANKER	9 - LEARNER'S PERMIT RESTRICTIONS	4 - BREATH	
SAFETY EQUIPMENT		TRAPPED		10 - LIMITED TO DAYLIGHT ONLY	5 - OTHER	
1 - NONE USED	11 - PASSENGER IN OTHER ENCLOSED CARGO AREA (NON-TRAILING UNIT, BUS, PICK-UP WITH CAP)	1 - NOT TRAPPED	Q - MOTOR SCOOTER	11 - LIMITED TO EMPLOYMENT	5 - OTHER	
2 - SHOULDER BELT ONLY USED	12 - PASSENGER IN UNENCLOSED CARGO AREA	2 - EXTRICATED BY MECHANICAL MEANS	R - THREE-WHEEL MOTORCYCLE	12 - LIMITED - OTHER	DRUG TEST TYPE	
3 - LAP BELT ONLY USED	13 - TRAILING UNIT	3 - FREED BY NON-MECHANICAL MEANS	S - SCHOOL BUS	13 - MECHANICAL DEVICES (SPECIAL BRAKES, HAND CONTROLS, OR OTHER ADAPTIVE DEVICES)	1 - NONE	
4 - SHOULDER & LAP BELT USED	14 - RIDING ON VEHICLE EXTERIOR (NON-TRAILING UNIT)		T - DOUBLE & TRIPLE TRAILERS	14 - MILITARY VEHICLES ONLY	2 - BLOOD	
5 - CHILD RESTRAINT SYSTEM - FORWARD FACING	15 - NON-MOTORIST		X - TANKER / HAZMAT	15 - MOTOR VEHICLES WITHOUT AIR BRAKES	3 - URINE	
6 - CHILD RESTRAINT SYSTEM - REAR FACING	99 - OTHER / UNKNOWN			16 - OUTSIDE MIRROR	4 - OTHER	
7 - BOOSTER SEAT				17 - PROSTHETIC AID	DRUG TEST RESULT(S)	
8 - HELMET USED				18 - OTHER	1 - AMPHETAMINES	
9 - PROTECTIVE PADS USED (ELBOW, KNEES, ETC.)			GENDER		2 - BARBITURATES	
10 - REFLECTIVE CLOTHING			F - FEMALE		3 - BENZODIAZEPINES	
11 - LIGHTING - PEDESTRIAN / BICYCLE ONLY			M - MALE		4 - CANNABINOIDS	
99 - OTHER / UNKNOWN			U - OTHER / UNKNOWN		5 - COCAINE	
					6 - OPIATES / OPIOIDS	
					7 - OTHER	
					8 - NEGATIVE RESULTS	